

USER MANUAL

for



Dear Customer,

Congratulations for choosing JEWELBOXX (JB) from ESlabs, Now you can take control of your Security Alert Service in your hand and avail the best self Guarding & alert service available in the Market.

In our continuing commitment to you, our valuable customer we present to you the JEWELBOXX (JB) your gateway to new world of high quality SMS based wireless security Alert service. The JB also comes with other accessories for your other security needs.

Welcome to the world of Wireless Alert Solution.

Welcome to ESlabs.

To ensure to protect your safe place and enjoy the maximum safety Alert, install the JB at proper place that covers the area which has to be protected. Refer Installation procedure in Page- 7

JB emits no radiation & is not harmful to people, animals or plants.

The Package consists of

- JEWELBOXX unit – 1 no
- 9V- 2Amp Adapter- 1 no
- 20 PIN Power connector with 1m cable- 1 set
- Wall Mounting Connector with screws
- User Manual with Warranty card

Table of Contents

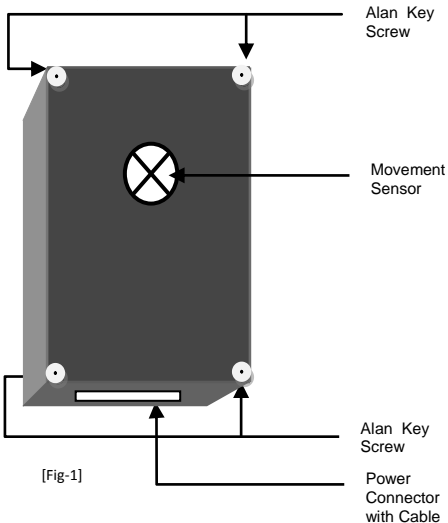
Quick SMS Function Reference.....	4
Quick Start your JEWELBOXX.....	6
Insert your SIM card.....	7
Connecting the Internal Battery.....	7
Installation Procedure.....	7
Operational Functions.....	11
Response (Alert) Message.....	24
Response (Error) Message.....	25
Troubleshooting.....	25
DO's and DON'Ts.....	26
Disclaimer	26
WARRANTY Card.....	27

Quick SMS Function References-
SMS should be sent From Master Mobile No.

Function Code No.	Purpose	SMS Format (ALL CAPITAL LETTERS)	Reference Page No
001	NUMBER UPDATE	*NU#password#Master Mobile No#Assistant 1 Mobile#Assistant 2 Mobile#	11
002	SET DEVICE NAME	*DN#ESLABS#	11
003	TO CHANGE EXISTING PASSWORD	*CP#1111#9999#	12
004	TO Check SIGNAL STRENGTH	*SS#	12
005	TO CHECK THE CURRENT STATUS OF JB	*SC#	12
006	TO MAKE JB in ACTIVE MODE	*AM#	13
007	TO MAKE JB in STANDBY MODE	*SM#	13
008	TO SCHEDULE JB	*SCH#20:00#07:30#	13
009	TO DISABLE SCHEDULE	*SD#	14
010	TO ENABLE SCHEDULE	*SE#	14
011	TO GENERATE RANDOM NEW PASSWORD	*RP#	14
012	SWITCH ON HOOTER	*HON#	15
013	SWITCH OFF HOOTER	*HOFF#	15
014	SWITCH ON LIGHT	*LON#	15
015	SWITCH OFF LIGHT	*LOFF#	16
016	SET & ACTIVATE SOS MOBILE NUMBER	*SOS#9999999999#	16
017	ACTIVE SOS MOBILE NUMBER	*SOSE#	16
018	DEACTIVATE SOS MOBILE NUMBER	*SOSD#	17
019	SET RTC TIME	*ST#	17
020	SELF TEST	*TEST#	17
021	CHECK TEMPERATURE AROUND DEVICE	*TEMP#	18
022	Daily Office Closing Message -Enable	*OCE#	18

023	Daily Office Closing Message -Disable	*OCD#	18
024	To Turn ON Connected Hooter/Siren	Activated By Default	19
025	To Turn ON Connected Light	Activated By Default	19
026	To Turn ON SWITCH 3 by SMS (One Time)	*SW3ON#	19
027	To Turn OFF SWITCH 3 by SMS (One Time)	*SW3OFF#	19
028	To Turn ON SWITCH 4 by SMS (One Time)	*SW4ON#	19
029	To Turn OFF SWITCH 4 by SMS (One Time)	*SW4OFF#	19
030	To Turn ON SWITCH 5 by SMS (One Time)	*SW5ON#	19
031	To Turn OFF SWITCH 5 by SMS (One Time)	*SW5OFF#	19
032	To Turn ON SWITCH 6 by SMS (One Time)	*SW6ON#	19
033	To Turn OFF SWITCH 6 by SMS (One Time)	*SW6OFF#	19
034	To activate Door1 by SMS	*D1E#	20
035	To deactivate Door1 by SMS	*D1D#	20
036	To activate Door2/ Rolling Shutter by SMS	*D2E#	20
037	To deactivate Door2/ Rolling Shutter by SMS	*D2D#	20
038	24 Hrs Door Monitoring for Door 1-ENABLE	*D1E24#	20
039	24 Hrs Door Monitoring for Door 1-DISABLE	*D1D24#	20
040	24 Hrs Door Monitoring for Door 2- ENABLE	*D2E24#	21
041	24 Hrs Door Monitoring for Door 2-DISABLE	*D2D24#	21
042	Current Status of Door 1	*D1S#	21
043	Current Status of Door 2	*D2S#	22
044	SWITCH ON HOOTER for Every Alert	*HAE#	22
045	SWITCH OFF HOOTER for Every Alert	*HAD#	22
046	SWITCH ON Lights for Every Alert	*LAE#	23
047	SWITCH OFF Lights for Every Alert	*LAD#	23
048	Daily Office Open Message Enable	*OOE#	23
049	Daily Office Open Message Disable	*OOD#	23

Connecting your JEWELBOXX



QUICK START

To get start with JB use, Alan Key to unscrew the 4 screws & open as shown in [Fig-1]

Note : After opening Don't pull the outer cover or stretch the cable connected to the bottom case. If pulled you can damage the connectivity of the Movement Sensor & other connections.

Insert the SIM card (SMS activated-Post Paid/Pre Paid) of your service provider inside the SIM card slot carefully as shown in [Fig-2] And Lock the SIM card holder.

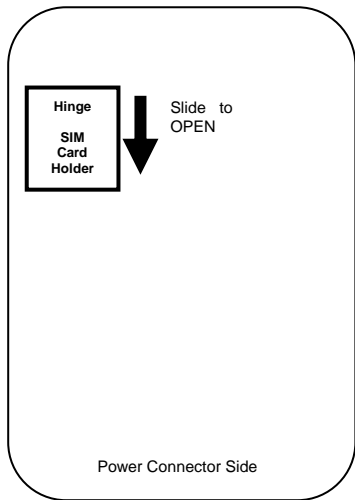
Connect the internal battery of the JB provided inside at place as shown in [Fig-3]

Your JB will start working within 2 minutes now.

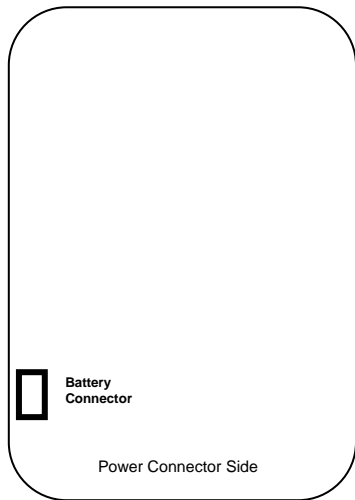
Note: Ensure you don't damage the Movement Sensor by giving pressure or by touching it.

Carefully close the outer cover and screw the Alan key back in place. And follow Installation Procedure.

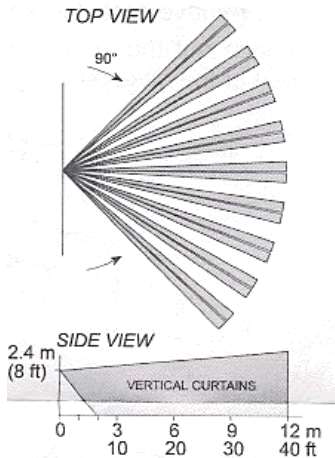
JB is NOW ready for setup Refer Page 4



[Fig-2]

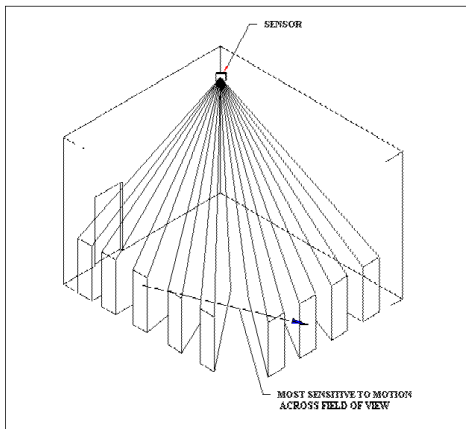


[Fig-3]



[Fig- 4]

PASSIVE INFRARED



[Fig- 5]

"What is JB sensor?"

JewelBOXX sensor allow you to sense motion, it is rugged & uses low power to detect whether a human has moved in or out of the sensors range, it detects when a person has left or entered the area, or has approached it, it has wide lens range. It detects the level of infrared radiation, everything emits some low level radiation, and the hotter something is the more radiation is emitted.

Note: The sensor won't tell you how many people are around or how close they are to the sensor; the lens is often fixed to a certain sweep and distance.

Sensitivity range: up to 20- 40 feet (6-12 meters) with 110 degrees x 70 degrees detection range, Pet-Tolerant for animals up to 38 kg (85 lb)

Installation Procedure

Selecting a Location

- Your JB Detector has a number of detection zones at various horizontal and vertical angles, as shown in [Fig- 5]. A moving human body crossing or entering one of the zones activates the Detector. Mount the JB at a height of 2.4m for the best all-round coverage [Fig. 4] - it may be positioned up to 4m high for a greater detection range, but the detection pattern will be less effective.
- Careful positioning of the tilt and swivel Detector head is needed to ensure optimum performance. When performing the [WALK TEST], the angle of the JB may require slight adjustment, particularly when mounting JB higher than the recommended 2.4m.
- Also note that the JB Detector is much more sensitive to movement ACROSS its field of vision so if possible, mount the JB facing ACROSS the approach to your property. False Activation Reduction technology makes your PIR Detector less prone to activation by wind, rain, moving branches, etc, but care should be taken to avoid sitting near sources of heat - central heating outlets, tumble dryer exhausts and extractor fans, for instance. Under extreme conditions branches and reflective surfaces such as pools of water or white painted walls can also be a problem. Wherever possible, mount JB away from such sources of interference.

Mounting

- Wall mounting brackets are provided along the pack with the screws, first fix the brackets on the JB on the backside with a screwdriver and tight the screw gently till it the brackets are held tightly to the base.
- Place the backplate of the unit in the desired position and mark the locations of the mounting Holes, Next drill the holes to the required depth and insert the wall plugs.
- Cabling can either be from directly behind the unit through the wall, or along the surface from below

- Screw the unit to the wall - do not over-tighten screws.

Power Connection

- JB comes with external 9V/ 2 AMP adapter which can be connected to domestic lighting socket with a 220-240 AC 50Hz mains electricity supply. JB has 36 hrs internal Battery backup but it is suggested to use UPS power line for flawless connectivity.

Walk Test

When the installation procedure is complete, the unit is ready for testing. The Walk Test procedure is as follows: Please try to remain outside the detection area during the warm-up period.

Step 1

Walk across the detection area approx. 5 meters from the unit. As you cross the first detection 'zone' you should receive a SMS and a Voice Call within 2 minutes. Now stand still (this should take approx. 5 seconds).

Step 2

Start moving again. As you cross each 'zone' the lamp should illuminate as in Step 1.

Step 3

Repeat Steps 1 & 2, walking at various distances and angles to the unit [see Fig-5]. This will help you to establish the detection pattern.

Step 4

If the detection area is too small for your requirements, try angling the sensor head up. This should increase the coverage distance. Similarly, angling the JB downwards will reduce the range should a smaller coverage area be required. (don't install JB horizontally unless if required).

Step 5

Carry out Walk Tests and adjustments until you are happy with the coverage area.

Operational Functions

SMS Based functional Code of JewelBOXX (JB) from the Master Mobile No.

(all in CAPITAL LETTERS)

Function Code- 001- NUMBER UPDATE	
SMS Format for JB (First Time Password – 0000)	*NU#password#Master Mobile No#Assistant 1 Mobile# Assistant 2 Mobile#
Application & Purpose	To set the mobile No of Master, Assitant1 & Assistant 2
Acknowledgement from JB	Yes
Current Status of JB	Default setting or Current settings
Description of SMS Acknowledgement from JB on Master Phone No.	ESLABS NEWLY ASSIGNED MASTER & ASSITANTS ARE : 0000-9999999999-9999999999-9999999999

Function Code- 002- SET DEVICE NAME	
SMS Format for JB	*DN#ESLABS#
Application & Purpose	To Name the JB as per the location or usage (6 Characters Only)
Acknowledgement from JB	Yes
Current Status of JB	Default setting or Current Name
Description of SMS Acknowledgement from JB on Master Phone No.	ESLABS DEVICE NAME IS SET TO “ESLABS”

Function Code- 003- TO CHANGE EXISTING PASSWORD	
SMS Format for JB	*CP#1111#9999#
Application & Purpose	1111= Old Password 9999=New Password
Acknowledgement from JB	Yes
Current Status of JB	Default setting or Current settings
Description of SMS Acknowledgement from JB on Master Phone No.	ESLABS PASSWORD UPDATED SUCCESSFULLY PLS STORE THIS PASSWORD FOR FURTHER REFERENCE

Function Code- 004- TO FIND THE SERVICE PROVIDER SIGNAL STRENGTH	
SMS Format for JB	*SS#
Application & Purpose	To know the Signal Strength of your service provider between 10-31
Acknowledgement from JB	Yes
Current Status of JB	NA
Description of SMS Acknowledgement from JB on Master Phone No.	ESLABS SIGNAL STRENGTH OF JEWELBOXX IS - 31

Function Code- 005- TO CHECK THE CURRENT STATUS OF JEWELBOXX	
SMS Format for JB	*SC#
Application & Purpose	To check the current status of JB
Acknowledgement from JB	Yes
Current Status of JB – Status 1	Active Mode
Description of SMS Acknowledgement from JB on Master Phone No.	ESLABS JEWELBOXX IS IN ACTIVE MODE
Current Status of JB – Status-2	Standby
Description of SMS Acknowledgement from JB on Master Phone No.	ESLABS JEWELBOXX IS IN STANDBY MODE

Function Code- 006- TO MAKE ACTIVE MODE	
SMS Format for JB	*AM#
Application & Purpose	To make JB to active mode from Standby mode
Acknowledgement from JB	Yes
Current Status of JB	Standby Mode
Description of SMS Acknowledgement from JB on Master Phone No.	ESLABS JEWELBOXX SET TO ACTIVE MODE

Function Code- 007- TO MAKE STANDBY MODE	
SMS Format for JB	*SM#
Application & Purpose	To make JB to Standby mode from Active mode
Acknowledgement from JB	Yes
Current Status of JB	Active Mode
Description of SMS Acknowledgement from JB on Master Phone No.	ESLABS JEWELBOXX SET TO STANDBY MODE

Function Code- 008- TO SCHEDULE	
SMS Format for JB (24 Hrs Clock)	*SCH#20:00#07:30#
Application & Purpose	To schedule JB active hours to 8.00PM to 7.30 AM
Acknowledgement from JB	Yes
Current Status of JB	Default setting or Current settings
Description of SMS Acknowledgement from JB on Master Phone No.	ESLABS SCHEDULING TIME IS SET FROM 20:00 TO 7:30

Function Code- 009- TO DISABLE SCHEDULE	
SMS Format for JB	*SD#
Application & Purpose	To disable all Schedule & to make 24 Active mode
Acknowledgement from JB	Yes
Current Status of JB	Default setting or Current settings
Description of SMS Acknowledgement from JB on Master Phone No.	ESLABS ACTIVE FOR 24 HRS

Function Code- 010- TO ENABLE SCHEDULE	
SMS Format for JB	*SE#
Application & Purpose	To enable Schedule as per the set Time
Acknowledgement from JB	Yes
Current Status of JB	Default setting or Current settings
Description of SMS Acknowledgement from JB on Master Phone No.	ESLABS ACTIVE FROM 20:00 TO 7:30

Function Code- 011- TO GENERATE RANDOM NEW PASSWORD	
SMS Format for JB	*RP#
Application & Purpose	To generate random New password
Acknowledgement from JB	Yes
Current Status of JB	Default setting or Current settings
Description of SMS Acknowledgement from JB on Master Phone No.	"ESLABS NEW AUTO GENERATED PASSWORD IS "1234" PLS STORE THIS PASSWORD FOR FURTHER REFERENCE

Function Code- 012-SWITCH ON HOOTER	
SMS Format for JB	*HON#
Application & Purpose	To Activate the Hooter attached to JB
Acknowledgement from JB	Yes
Current Status of JB	Hooter Off
Description of SMS Acknowledgement from JB on Master Phone No.	ESLABS HOOTER IS ON

Function Code- 013- SWITCH OFF HOOTER	
SMS Format for JB	*HOFF#
Application & Purpose	To De-activate the Hooter attached to JB –Permanently
Acknowledgement from JB	Yes
Current Status of JB	Hooter On & Hooter Off condition
Description of SMS Acknowledgement from JB on Master Phone No.	ESLABS HOOTER IS IN OFF

Function Code- 014- SWITCH ON LIGHT	
SMS Format for JB	*LON#
Application & Purpose	To Activate the Light attached to JB
Acknowledgement from JB	Yes
Current Status of JB	Light On/ Light Off
Description of SMS Acknowledgement from JB on Master Phone No.	ESLABS LIGHTS IS ON

Function Code- 015- SWITCH OFF LIGHT	
SMS Format for JB	*LOFF#
Application & Purpose	To De-activate the Light attached to JB
Acknowledgement from JB	Yes
Current Status of JB	Light On/Light Off
Description of SMS Acknowledgement from JB on Master Phone No.	ESLABS LIGHTS IS OFF

Function Code- 016- SET SOS MOBILE NUMBER	
SMS Format for JB	*SOS#9999999999#
Application & Purpose	To set SOS Mobile Number -USED in case of Master not reachable/ unanswered
Acknowledgement from JB	Yes
Current Status of JB	Default Setting
Description of SMS Acknowledgement from JB on Master Phone No.	ESLABS SOS Mobile No set to 9999999999

Function Code- 017- ACTIVE SOS MOBILE NUMBER	
SMS Format for JB	*SOSE#
Application & Purpose	To set SOS Mobile Numbers on Active Mode
Acknowledgement from JB	Yes
Current Status of JB	Default Setting
Description of SMS Acknowledgement from JB on Master Phone No.	ESLABS SOS Mobile No set to 9999999999

Function Code- 018- DEACTIVATE SOS MOBILE NUMBER	
SMS Format for JB	*SOSD#
Application & Purpose	To set SOS Mobile Numbers in Deactivate mode
Acknowledgement from JB	Yes
Current Status of JB	Default Setting
Description of SMS Acknowledgement from JB on Master Phone No.	ESLABS SOS Mobile No set to 9999999999

Function Code- 019- SET RTC TIME	
SMS Format for JB	*ST#
Application & Purpose	To reset the clock in case of Time and date Mis-match or RTC reset in case of battery low/not working or replaced
Acknowledgement from JB	Yes
Current Status of JB	No Scheduling and erratic Alerts
Description of SMS Acknowledgement from JB on Master Phone No.	ESLABS JEWELBOXX TIME IS SET

Function Code- 020- SELF TEST	
SMS Format for JB	*TEST#
Application & Purpose	To receive current status setting of JB
Acknowledgement from JB	Yes
Current Status of JB	Default Setting
Description of SMS Acknowledgement from JB on Master Phone No.	DEVICE NAME, STATUS, TIME, DATE, MASTER,ASSITANCE1 ASSITANCE2,SOS(ON/OFF), SCH TIME (ON/OFF) ,TEMPERATURE IS :

Function Code- 021- CHECK TEMPERATURE AROUND DEVICE	
SMS Format for JB	*TEMP#
Application & Purpose	To Check Temperature of JB
Acknowledgement from JB	Yes
Current Status of JB	Default Setting
Description of SMS Acknowledgement from JB on Master Phone No.	ESLABS TEMPERATURE IS : 27 degree Celsius

Function Code- 022- Daily Office Closing Message -Enable	
SMS Format for JB	*OCE#
Application & Purpose	To Enable Office Closing Function of JB
Acknowledgement from JB	Yes
Current Status of JB	Default Setting
Description of SMS Acknowledgement from JB on Master Phone No.	ESLABS OFFICE CLOSE MESSAGE IS ENABLE

Function Code- 023- Daily Office Closing Message -Disable	
SMS Format for JB	*OCD#
Application & Purpose	To disable Office Closing Function of JB
Acknowledgement from JB	Yes
Current Status of JB	Default Setting
Description of SMS Acknowledgement from JB on Master Phone No.	ESLABS OFFICE CLOSE MESSAGE IS DISABLE

One Time Switch Activation SMS Function:

The SMS is used to activate the existing Switch on JB before installing the accessories to be connected to JB.
For wiring details and connections call the Distributor/ dealer.

Function Code	PIN No.	Recommended Accessories	SMS Format	Application & Purpose	Acknowledgement from JB
Function Code- 024	20	12 V Hooter/Siren	Activated By Default	To activate the Connected Hooter/Siren	NA
Function Code- 025	19	Light	Activated By Default	To activate the Connected Light	NA
Function Code- 026	18	SW3	*SW3ON#	To activate the Connected Sensor by SMS	ESLABS SWITCH 3 is ON
Function Code- 027	18	SW3	*SW3OFF#	To de activate the Connected Sensor by SMS	ESLABS SWITCH 3 is OFF
Function Code- 028	17	SW4	*SW4ON#	To activate the Connected Sensor by SMS	ESLABS SWITCH 4 is ON
Function Code- 029	17	SW4	*SW4OFF#	To de activate the Connected Sensor by SMS	ESLABS SWITCH 4 is OFF
Function Code- 030	16	SW5	*SW5ON#	To activate the Connected Sensor by SMS	ESLABS SWITCH 5 is ON
Function Code- 031	16	SW5	*SW5OFF#	To de activate the Connected Sensor by SMS	ESLABS SWITCH 5 is OFF
Function Code- 032	16	SW6	*SW6ON#	To activate the Connected Sensor by SMS	ESLABS SWITCH 6 is ON
Function Code- 033	16	SW6	*SW6OFF#	To de activate the Connected Sensor by SMS	ESLABS SWITCH 6 is OFF

Function Code	PIN No.	Recommended Accessories	SMS Format	Application & Purpose	Acknowledgement from JB
Function Code- 034	5	Door 1	*D1E#	To activate the Connected Door by SMS	ESLABS DOOR 1 SENSOR ACTIVATED
Function Code- 035	5	Door 1	*D1D#	To de activate the Connected Door by SMS	ESLABS DOOR 1 SENSOR DEACTIVATED
Function Code- 036	7	Door 2/ Rolling Shutter	*D2E#	To activate the Connected Door/ Rolling Shutter by SMS	ESLABS DOOR 2 SENSOR ACTIVATED
Function Code- 037	7	Door 2/ Rolling Shutter	*D2D#	To de activate the Connected Door/ Rolling Shutter by SMS	ESLABS DOOR 2 SENSOR DEACTIVATED

Function Code- 038 24 Hrs Door Monitoring for Door 1- ENABLE

SMS Format for JB	*D1E24#
Application & Purpose	To Enable 24 hrs door monitoring Function of JB
Acknowledgement from JB	Yes
Current Status of JB	Default Setting
Description of SMS Acknowledgement from JB on Master Phone No.	ESLABS DOOR1 Monitoring Enabled for 24 Hours!

Function Code- 039 24 Hrs Door Monitoring for Door 1-DISABLE

SMS Format for JB	*D1D24#
Application & Purpose	To Disable door monitoring Function of JB in standby Mode
Acknowledgement from JB	Yes
Current Status of JB	Default Setting
Description of SMS Acknowledgement from JB on Master Phone No.	ESLABS DOOR1 Monitoring disabled in Standby Mode!

Function Code- 040 24 Hrs Door Monitoring for Door 2- ENABLE	
SMS Format for JB	*D2E24#
Application & Purpose	To Enable 24 hrs door monitoring Function of JB
Acknowledgement from JB	Yes
Current Status of JB	Default Setting
Description of SMS Acknowledgement from JB on Master Phone No.	ESLABS DOOR2 Monitoring Enabled for 24 Hours!

Function Code- 041 24 Hrs Door Monitoring for Door 2- DISABLE	
SMS Format for JB	*D2D24#
Application & Purpose	To Disable door monitoring Function of JB in standby Mode
Acknowledgement from JB	Yes
Current Status of JB	Default Setting
Description of SMS Acknowledgement from JB on Master Phone No.	ESLABS DOOR2 Monitoring disabled in Standby Mode!

Function Code- 042 Current Status of Door 1	
SMS Format for JB	*D1S#
Application & Purpose	To Check the current Status of the Door1- Open/ Closed
Acknowledgement from JB	Yes
Current Status of JB	Default Setting
Description of SMS Acknowledgement from JB on Master Phone No.	ESLABS DOOR1 is Open! / Closed!

Function Code- 043 Current Status of Door 2	
SMS Format for JB	*D2S#
Application & Purpose	To Check the current Status of the Door2- Open/ Closed
Acknowledgement from JB	Yes
Current Status of JB	Default Setting
Description of SMS Acknowledgement from JB on Master Phone No.	ESLABS DOOR2 is Open! / Closed!

Function Code- 044-SWITCH ON HOOTER for Every Alert	
SMS Format for JB	*HAE#
Application & Purpose	To Activate the Hooter attached to JB for every Alert (10 seconds) in Active Mode
Acknowledgement from JB	Yes
Current Status of JB	Hooter Off
Description of SMS Acknowledgement from JB on Master Phone No.	ESLABS Switch ON HOOTER when Unusual Activity Detected Enabled

Function Code- 045-SWITCH OFF HOOTER for Every Alert	
SMS Format for JB	*HAD#
Application & Purpose	To Deactivate the Hooter attached to JB for every Alert (10 seconds) in Active Mode
Acknowledgement from JB	Yes
Current Status of JB	Hooter ON
Description of SMS Acknowledgement from JB on Master Phone No.	ESLABS Switch ON HOOTER when Unusual Activity Detected is Disabled

Function Code- 046-SWITCH ON Lights for Every Alert	
SMS Format for JB	*LAE#
Application & Purpose	To Activate the LIGHT attached to JB for every Alert (40 seconds) in Active Mode
Acknowledgement from JB	Yes
Current Status of JB	Light Off
Description of SMS Acknowledgement from JB on Master Phone No.	ESLABS Switch ON LIGHT when Unusual Activity Detected Enabled

Function Code- 047-SWITCH OFF Lights for Every Alert	
SMS Format for JB	*LAD#
Application & Purpose	To Deactivate the LIGHT attached to JB for every Alert (40 seconds) in Active Mode
Acknowledgement from JB	Yes
Current Status of JB	Light ON
Description of SMS Acknowledgement from JB on Master Phone No.	ESLABS Switch ON LIGHT when Unusual Activity Detected is Disabled

Function Code- 048- Daily Office Open Message Enable	
SMS Format for JB	*OOE#
Application & Purpose	To Activate Office Opening Function
Function Code- 049- Daily Office Open Message Disable	
SMS Format for JB	*OOD#
Application & Purpose	To Deactivate Office Opening Function

RESPONSE (ALERT) MESSAGE FROM JEWELBOXX

Code NO	Message occurrence	SMS Message RESPONSE from JB	SMS TO MOBILE	AUTO CALL
R1	Unusual Movement in-Active Mode	ESLABS UNUSUAL MOVEMENT DETECTED	MASTER, ASSISTANCE1 & ASSISTANCE2	Voice Call To Master Mobile No. Or SOS Mobile Number In Case Of Master Not Reachable/ Unanswered
R2	Power disconnection	ESLABS POWER DISCONNECTED AT 10.30 01/03/2014	MASTER ONLY FOR REPEATED EVERY 30 MINITUES OF DISCONNECTION	NO VOICE CALL
R3	Power restored	ESLABS POWER RESTORED AT 10.30 01/03/2014	MASTER ONLY	NO VOICE CALL
R4	Change of master & Assistances Mobile No from any mobile	ESLABS NEWLY ASSIGNED MASTER & ASSITANTS ARE : 9999-9999999999-9999999999-9999999999	OLD MASTER - NUMBERS UPDATED SUCCESSFULLY AND THE NEW MASTER IS 9999999999	NO VOICE CALL
R5	First movement in the office of the day after the end of schedule time	ESLABS OFFICE IS OPEN	MASTER, ASSISTANCE1 & ASSISTANCE2	Voice call to Master Mobile No. To verify and confirm- if call is attended as SOS JB will auto set to Active Mode else will be inactive mode
R6	No movement in office for 2 hrs before the start of schedule time	ESLABS OFFICE IS CLOSED	MASTER, ASSISTANCE1 & ASSISTANCE2	NO VOICE CALL
R7	Daily schedule alerts on Start of scheduled time	ESLABS JEWELBOXX IS IN ACTIVE MODE	MASTER	NO VOICE CALL
R8	Daily schedule alerts on End of schedule time	ESLABS JEWELBOXX IS IN STANBY MODE	MASTER	NO VOICE CALL

RESPONSE (ERROR) MESSAGES FROM JEWELBOXX

Code NO	Message occurrence	SMS Message RESPONSE	SMS TO MOBILE	AUTO CALL
E1	If typed SMS has mismatch code format	ESLABS INVALID SMS CODE! PLS CHECK THE FORMAT	MASTER ONLY	NO VOICE CALL
E2	If wrong password in SMS format	ESLABS INCORRECT PASSWORD	MASTER ONLY	NO VOICE CALL
E3	If JB name exceeds 6 characters	ESLABS PLEASE CHECK THE FORMAT DEVICE NAME SHOULD NOT EXCEED 6 CHARACTERS	MASTER ONLY	NO VOICE CALL

Troubleshooting

Symptom	Possible cause	Remedy
No SMS / incoming call Alerts from JB	1. No balance in your Account	Recharge your Pre Paid Mobile No
	2. No Network in your Area/ Location	Check with your service provider Check by sending Code- 004 to JB
	3. Check if you are the Master	Check by sending Code- 020 to JB
Movement Sensor Not working	Damage of wire	Call Distributor/ support
Time Mismatch	Real Time Clock not working	Check by sending Code- 019 to JB
Battery Change	Battery dry out	Replace battery & send Code- 020 to JB
You have forgotten or lost your password		Check by sending Code- 011 to JB

DO's and DON'Ts

- Do not drop, knock or shake the JB, rough handling can cause damage to the delicate electronic components.
- Do not allow any unauthorized personnel to attempt to repair or service the JB, Any such tampering with the device may result in serious malfunctioning.
- Do not use harsh chemicals or detergents to clean the JB, specially the Sensor area, wipe it with soft & dry cloth.
- Do not throw/drop your JB as you will damage it.
- Do not allow any kind of liquid to come in contact with the JB
- Please refer to troubleshooting tips to resolve any problem with the JB
- JB is advance electronic device which have been manufactured with precision, improper handling or negligence can result in damage causing malfunction of the device.
- Observe local laws & regulations and respect the privacy and legal rights of others.

Please do not attempt to open the JB, only trained personnel are authorized to conduct repair, Non compliance can result in the warranty being null and void.

In case of problems, contact your local Distributor or visit eslabs.co.in or mail us at support@eslabs.co.in

The specification and actual operations may vary due to continuous R&D and software update, Thus description herein mentioned may not exactly match the product or the accessories which you purchase, ESLabs reserves the right to change or modify any information or specifications contained in this manual without prior notice and without any liability.

Disclaimer

ALL CONTENTS OF THIS MANUAL ARE PROVIDED "AS IS". EXPECT AS REQUIRED BY APPLICABLE LAWS, NO WARRANTIES OF ANY KIND, EITHER EXPRESS OR IMPLIED, INCLUDING BUT NOT LIMITED TO, THE IMPLIED WARRANTIES OF MERCHANTABILITY AND FITNESS FOR A PARTICULAR PUPOSE, ARE MADE IN RELATION TO THE ACCURACY, RELIABILITY OR CONTENTS OF THIS MANUAL.

TO THE MAXIMUM EXTENT PERMITTED BY APPLUCABLE LAW, IN NO EVENT SHALL ESLABS BE LIABLE FOR ANY SPECIAL, INCIDENTAL, INDIRECT, OR CONSEQUENTIAL DAMAGES, OR LOSS OF PROFITS,BUSINESS,REVENUE, DATA,GOODS, ANY ASSETS, GOODWILL SAVINGS OR ANTICIPATED SAVINGS REGARDLESS OF WHETHER SUSCH LOSSES ARE FORSEEABLE OR NOT.

THE MAXIMUM LIABILITY (THIS LIMITATION SHALL NOT APPLY TO LIABILITY FOR PERSONAL INJURY TO THE EXTENT APPLICABLE LAW PROHIBITS SUCH A LIMITATION) OF ESLABS ARISING FROM THE USE OF THE PRODUCT DESCRIBED IN THIS MANUAL SHALL BE LIMITED TO THE AMOUNT PAID BY CUSTOMERS FOR THE PURCHASE OF THIS PRODUCT.

WARRANTY CARD

Please contact your distributor or VAR if any defect arises due to faulty materials or workmanship occur in this product within 12 months from the date of purchase.

The JB may be repaired or replaced at the discretion of ESLABS within the warranty period.

Customer Name: _____

Purchase Invoice Number & Date: _____

Model No: _____

Serial No: _____

Distributor/ VAR Name address: _____

_____ Distributor/VAR Stamp _____

- The warranty is subject to the following provisions:
- The product must be correctly assembled and operated in accordance with the instructions in this user manual.
- The warranty does not cover accidental damages or misuse
- The accessories, if any , are not covered under the warranty.
- The warranty will be rendered invalid if JB is opened or it has not been dismantled, altered or damaged by inexpert repair attempted.
- The product should be returned to place of purchase along with this manual, the purchase receipt and details of circumstances of the malfunction given.
- ESLABS disclaims any liability for incidental or consequential damages.

This undertaking is in addition to the consumer's statutory rights and does not affect these rights in any way.

Contact Address:

Empowered Security Labs Pvt Ltd,
Bangalore
India

Email: support@eslabs.co.in

Website: www.eslabs.co.in